



WZ14 Integrated Day/Night Bullet Camera



- ▶ SuperHAD 1/3 in CCD, 380 TVL
- ▶ 8 m (26 ft) of infrared illumination
- ▶ 3.7 mm fixed lens
- ▶ Compact, water-resistant housing
- ▶ Bracket and sunshield included as standard

The WZ14 provides reliable day and night surveillance in a compact, water resistant design that integrates 12 infrared LEDs for 8m (26 ft) of night vision.

Incorporating a SuperHAD 1/3 in CCD, the WZ14 delivers 380 TVL of color imaging during day and active-infrared monochrome at night.

The WZ14 uses 12 photocell-controlled infrared LEDs to deliver up to 8 m (26 ft) of night vision for effective 24/7 performance. Photocell-controlled LEDs ensure accurate on/off switching and help increase energy efficiency.

The WZ14 includes a versatile mounting bracket suitable for walls, surfaces and ceilings, as well as a sunhood. Constructed of extruded aluminum, the WZ14 is compact and discreet, featuring an anodized silver finish.

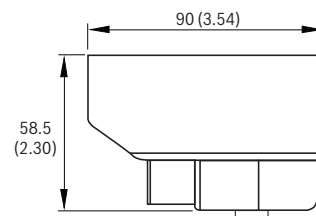
For indoor environments, the WZ14 is a quick and easy Plug-and-Play solution for 24/7 day and night surveillance.

- Restaurants
- Hotels and nightclubs
- Convenience stores
- Banks

Certifications and Approvals

Region	Certification
Europe	CE

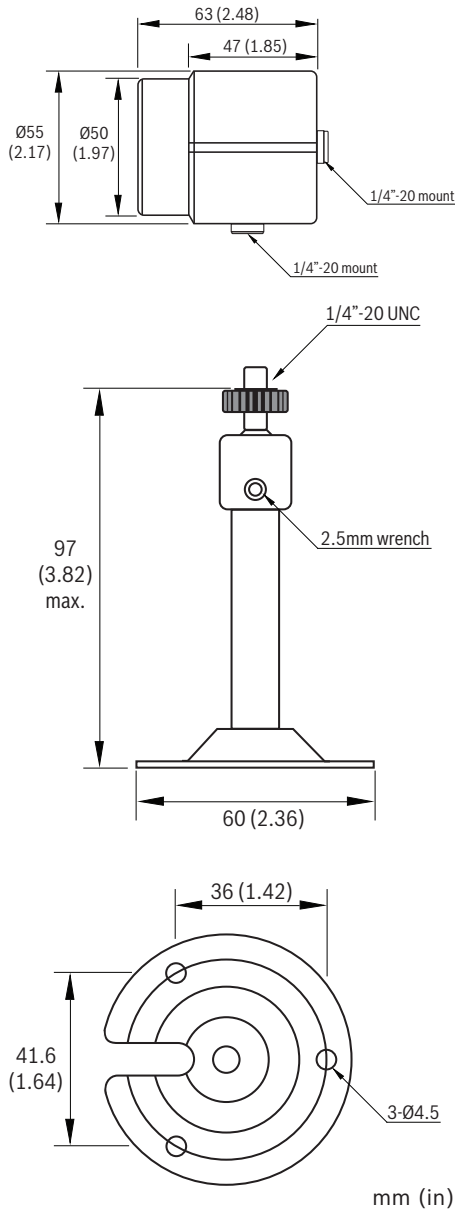
Installation/Configuration Notes



Functions

Applications

- Commercial
- Warehouses
- Offices
- Retail
- Schools
- Residential
- Casinos



	1/60 to 1/100,000 s (NTSC)
Output Signal	1 Vpp composite video, 75 ohm
S/N Ratio	Greater than 48 dB
Gamma	0.45
Lens	Fixed 3.7 mm lens
LEDs	Infrared array, photocell-controlled
Wavelength	850 nm
Number of LEDs	12

Electrical

Voltage	12 VDC
Power Draw	3 W Max.
Power Supply	Not included

Mechanical

Construction	Aluminum extrusion
Finish	Anodized silver
Sunshield	Included as standard
Bracket	Pan-tilt bracket included as standard
Weight	0.39 kg (0.86 lb)
Dimensions	Ø 58.5 x 90 (L) mm (Ø 2.3 x 3.5 (L) in)

Environmental

Operation Temperature Range	-30 °C to +55 °C (-22 °F to +131 °F)
Environment	IP67 compliant

Ordering Information

WZ14N4-0 IDN Bullet Camera IDN bullet cam, 380TVL, color switching to bw, 12LEDs, silver, NTSC, 3.7 mm lens, PSU separate	WZ14N4-0
WZ14P4-0 IDN Bullet Camera IDN bullet cam, 380TVL, color switching to bw, 12LEDs, silver, PAL, 3.7 mm lens, PSU separate	WZ14P4-0

Accessories

UPA-1220-60 Power Supply 120 VAC, 60 Hz, 12 VDC, 1 A Out, regulated	UPA-1220-60
UPA-1220-50 Power Supply 220 VAC, 50 Hz, 12 VDC, 1 A Out, regulated	UPA-1220-50

Technical Specifications

Video

CCD Image Sensor	1/3 in SuperHAD CCD
Type	Color / monochrome, video level switching
Resolution	380 TVL
Effective Pixels (H x V)	PAL: 500 x 582, NTSC: 510 x 492
Night-Time Sensitivity	0 lux (infrared on)
Electronics Iris	1/50 to 1/100,000 s (PAL),

Americas:
Bosch Security Systems, Inc.
130 Perinton Parkway
Fairport, New York, 14450, USA
Phone: +1 800 289 0096
Fax: +1 585 223 9180
security.sales@us.bosch.com
www.boschsecurity.us

Europe, Middle East, Africa:
Bosch Security Systems B.V.
P.O. Box 80002
5600 JB Eindhoven, The Netherlands
Phone: +31 40 2577 284
Fax: +31 40 2577 330
emea.securitysystems@bosch.com
www.boschsecurity.com

Asia-Pacific:
Robert Bosch (SEA) Pte Ltd, Security Systems
11 Bishan Street 21
Singapore 573943
Phone: +65 6258 5511
Fax: +65 6571 2698
apr.securitysystems@bosch.com
www.boschsecurity.asia